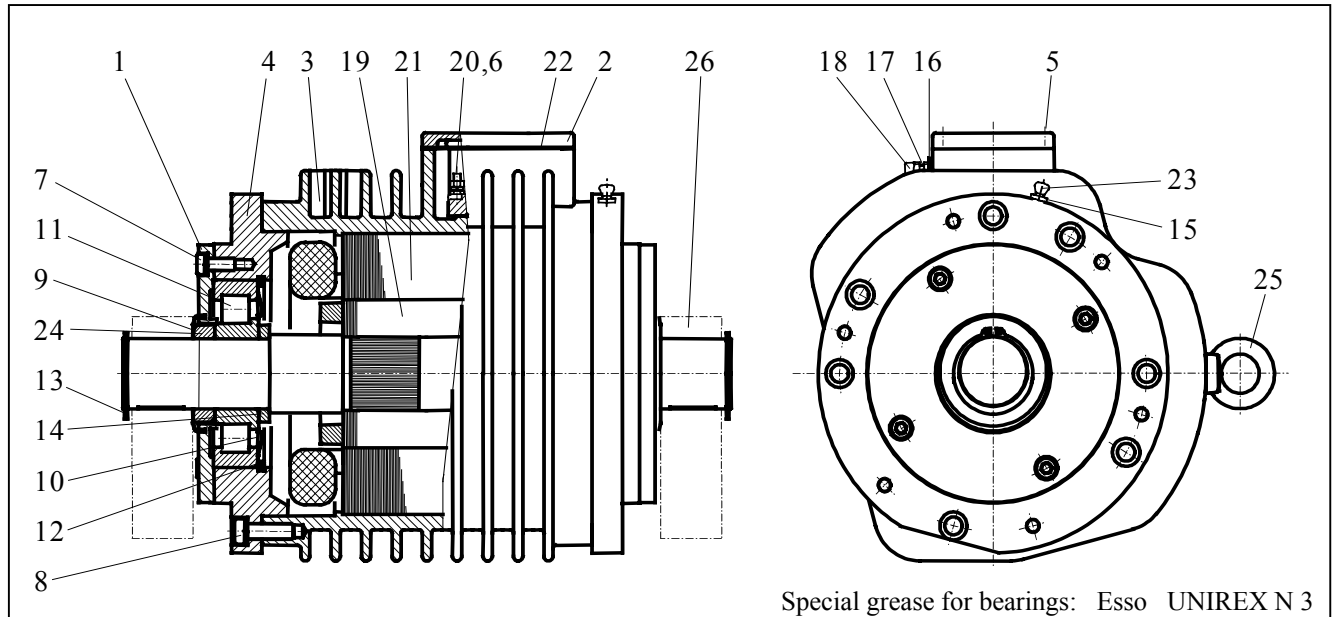


**Supermat**

**List of spares**

When placing orders, please indicate the respective Fig. No., the type of the motor and/or the part

number; concerning Fig.No. 21 please inform also about voltage and frequency.



Special grease for bearings: Esso UNIREX N 3

Fig. No.	Order No.	Pieces
1	05101	2
2	05401	1
3	06101	1
4	06311	2
5	21401	5
6	21411	2
7	22601	8
8	23201	8
9	25591	2

Fig. No.	Order No.	Pieces
10	25601	2
11	25611	2
12	26501	2
13	26801	2
14	27701	2
15	28501	2
16	29501	1
17	29601	1
18	29701	1

Fig. No.	Order No.	Pieces
19	48411	1
20	50901	1
21	59501	1
22	75821	1
23	76301	2
24	76421	2
25	28101	1
26	Unwucht *	2/4

\* The flyweights are adjusted according to the application requirements of the customer. Thus please indicate the exact designation of the eccentric weights. (see Delivery Note and/or Invoice)

**Particulars of the winding**

type	Supermat
∅ varnished wire	0,9 + 0,95
windings / groove	21/21
power supply	230/400 V - 50 Hz
insulation class	F
connection	series

WÜRGES · Vibrationstechnik GmbH  
 D-86356 Neusäß/Augsburg  
 Daimlerstraße 9  
 telephone: 0049/(0)821/463081  
 telefax: 0049/(0)821/463084  
 e-Mail: info@wuerges.de  
 internet: http://www.wuerges.de

