

**HV 8/2**

**List of spares**

When placing orders for spares, never forget to mention the required number of pieces, the type or

number; for illustration no. 20 also voltage and periodicity.

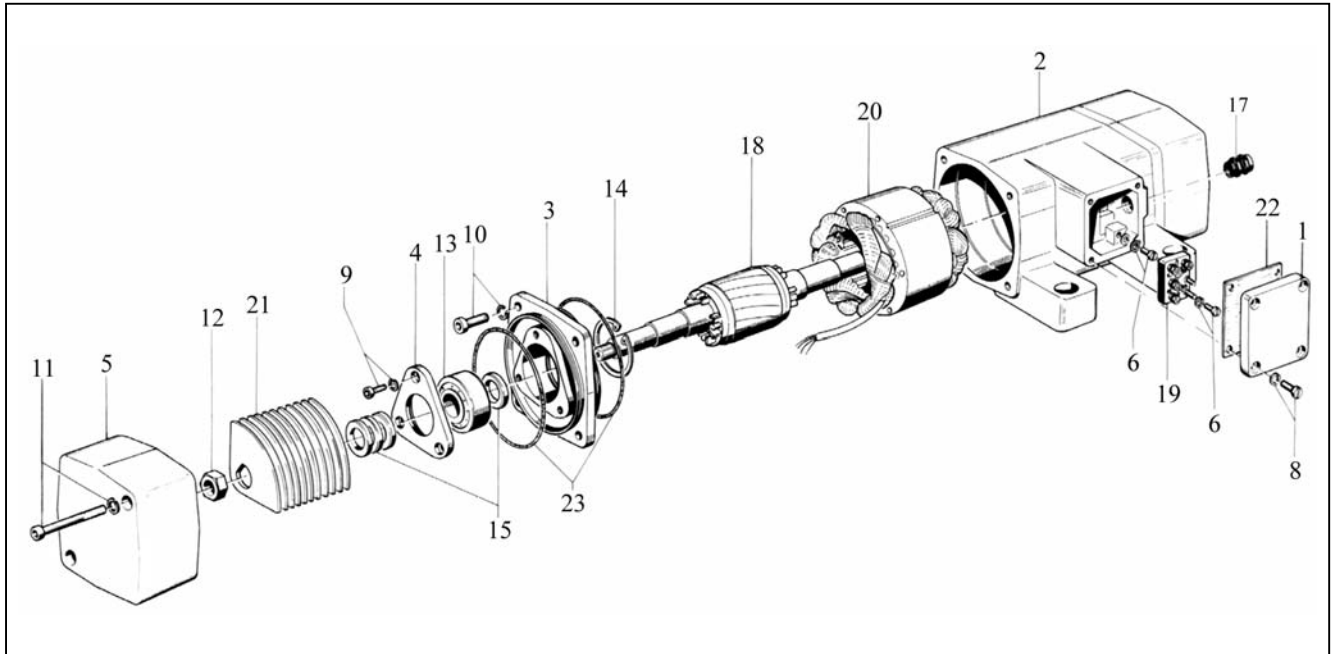


Fig. No.	Order No.	Pieces
1	00401	1
2	02601	1
3	02701	2
4	02801	2
5	02901	2
6	21101	3
8	21301	4

Fig. No.	Order No.	Pieces
9	22201	6
10	22601	4
11	23001	4
12	23901	2
13	24601	2
14	26201	1
15	27401	8

Fig. No.	Order No.	Pieces
17	29491	1
18	46301	1
19	50801	1
20	57301	1
21	75321	22
22	75801	1
23	75931	4

**Particulars of winding**

type	HV 8/2
∅ varnished wire	0,45
windings / groove	142
rated voltage	230/400 V - 50 Hz
insulant class	F
connection	series

WÜRGES · Vibrationstechnik GmbH  
 D-86356 Neusäß/Augsburg  
 Daimlerstraße 9  
 telefon: 0049/821/463081  
 telefax: 0049/821/463084  
 e-Mail: info@wuerges.de  
 internet: http://www.wuerges.de

