

HV 8/2-11

List of spares

When placing orders for spares, never forget to mention the required number of pieces, the type or

number; for illustration no. 14 also voltage and periodicity.

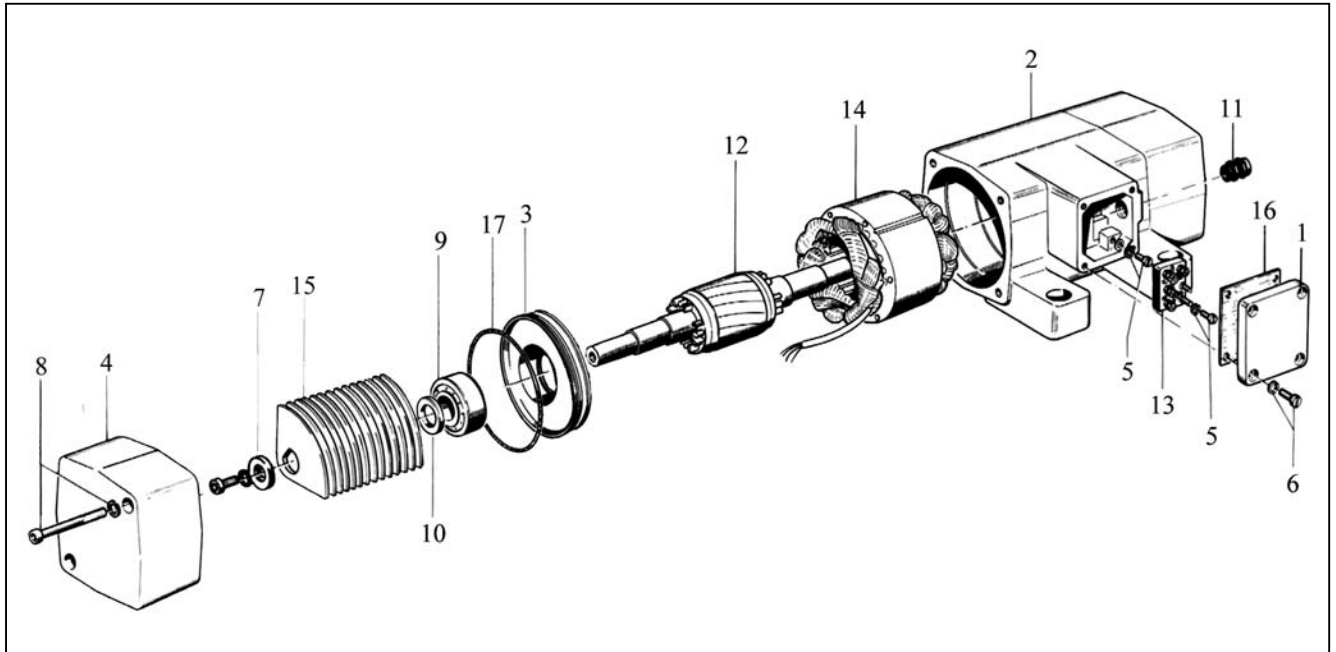


Fig. No.	Order No.	Pieces
1	00401	1
2	02601	1
3	02711	2
4	02901	2
5	21101	3
6	21301	4

Fig. No.	Order No.	Pieces
7	22551	2
8	23001	4
9	26201	2
10	27301	2
11	29491	1
12	46321	1

Fig. No.	Order No.	Pieces
13	50801	1
14	57301	1
15	75321	28
16	75801	1
17	75931	2

Particulars of winding

type	HV 8/2-11
∅ varnished wire	0,45
windings / groove	142
rated voltage	230/400 V - 50 Hz
insulant class	F
connection	series

WÜRGES · Vibrationstechnik GmbH
 Daimlerstraße 9
 D-86356 Neusäß/Augsburg
 telefon: 0049/821/463081
 telefax: 0049/821/463084
 e-Mail: info@wuerges.de
 Internet: http://www.wuerges.de

