

HV 6/6-11
HV 6/6-18
HV 6/8-11
HV 6/8-18

List of spares

When placing orders for spares, never forget to mention the required number of pieces, the type or

number; for illustration no. 4 also voltage and periodicity.

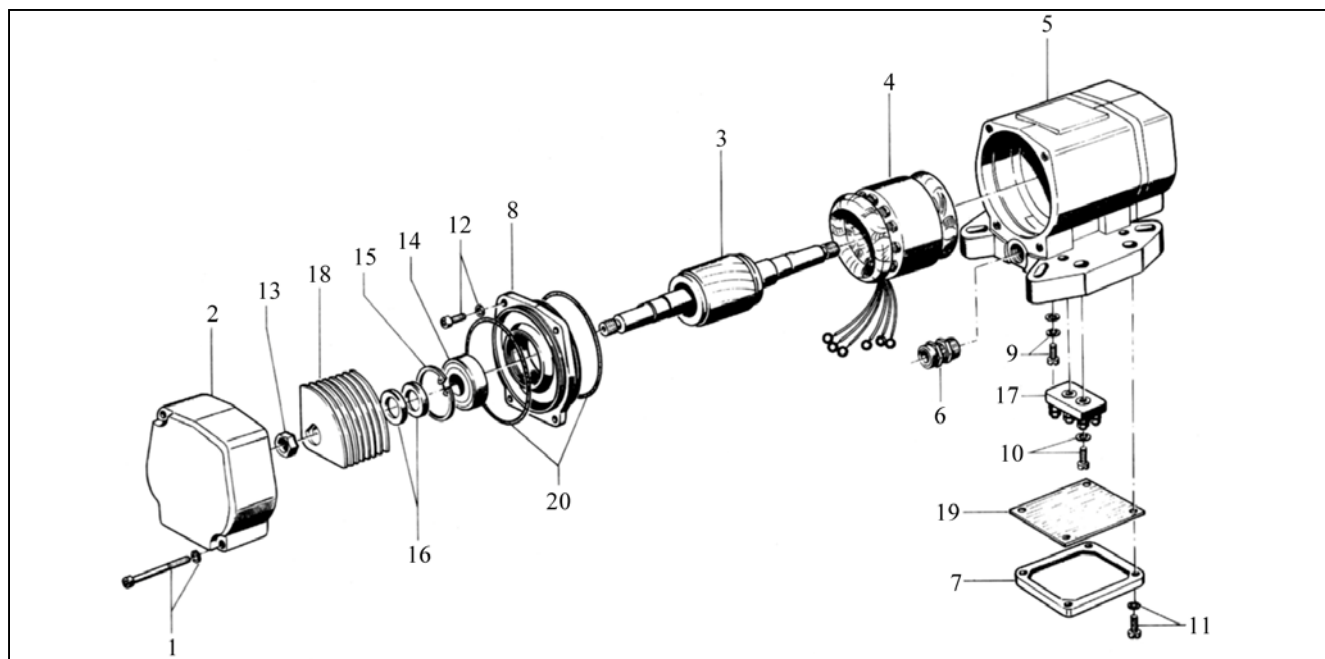


Fig. No.	Order No.	Pieces	
HV 6/6+8-11	2	01701	2
	3	45621	1
	4	56931	1
	18	75321	30

HV 6/6+8-18	2	01711	2
	3	45631	1
	4	56931	1
	18	75321	46

Fig. No.	Order No.	Pieces
1	22101	4
5 (-D)	01401	1
5 (-H)	01411	1
6	29491	1
7	00401	1
8	01501	2
9	21101	1
10	21201	2
11	21301	4

Fig. No.	Order No.	Pieces
12	21501	4
13	23901	2
14	24401	2
15	26001	2
16	27301	4
17	50801	1
19	75801	1
20	75931	1

Particulars of winding

type	HV 6/6	HV 6/8
∅ varnished wire	0,28	0,236
windings / groove	220	320
rated voltage	230/400 V - 50 Hz	230/400 V - 50 Hz
insulant class	F	F
connection	series	series

WÜRGES · Vibrationstechnik GmbH · Daimlerstraße 9 · D-86356 Neusäß/Augsburg
 telefon: 0049/821/463081 · telefax: 0049/821/463084
 e-Mail: info@wuerges.de · Internet: <http://www.wuerges.de>

