

HV 6/2 HV 6/2-8

List of spares

When placing orders for spares, never forget to mention the required number of pieces, the type or

number; for illustration no. 4 also the voltage and periodicity.

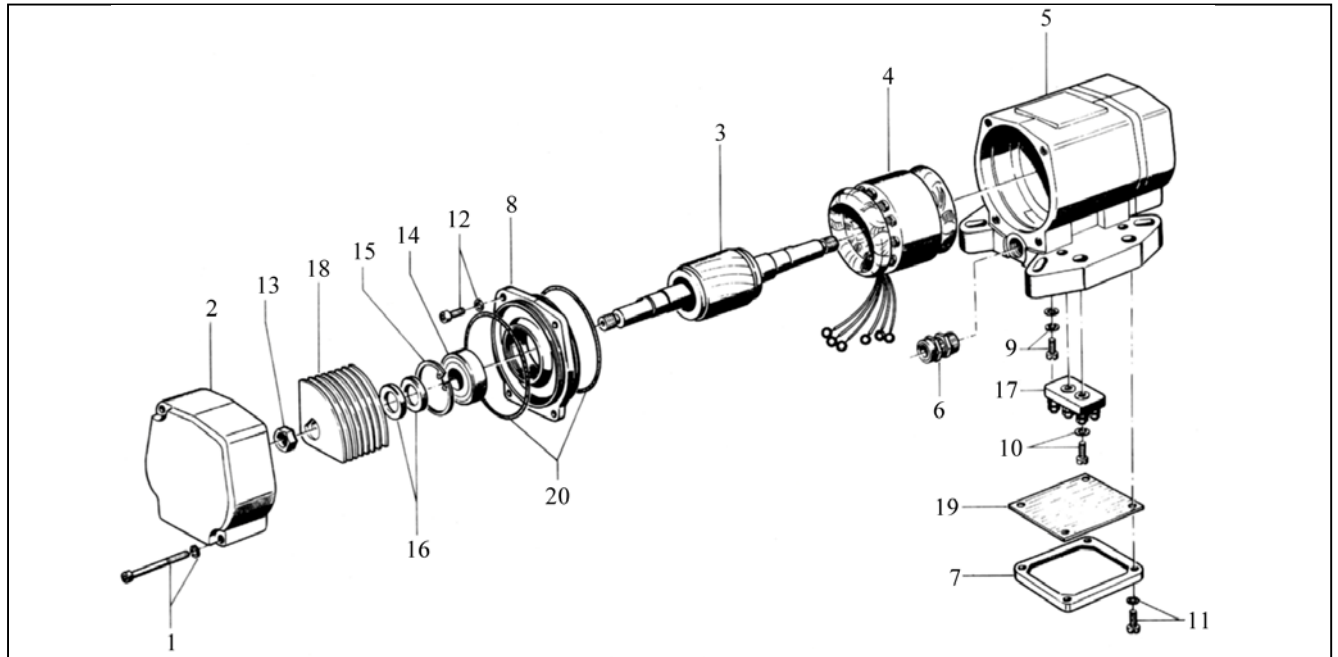


Fig. No.	Order No.	Pieces	
HV 6/2	1	21901	4
	2	01601	2
	3	45501	1
	4	56701	1
	16	27301	4
	18	75321	16
HV 6/2-8	1	22101	4
	2	01701	2
	3	45601	1
	4	56801	1
	16	27301	12
	18	75321	22

Fig. No.	Order No.	Pieces
5 (-D)	01401	1
5 (-H)	01411	1
6	29491	1
7	00401	1
8	01501	2
9	21101	1
10	21201	2
11	21301	4
12	21501	4
13	23901	2
14	24401	2
15	26001	2

Fig. No.	Order No.	Pieces
17	50801	1
19	75801	1
20	75931	1

Particulars of winding	HV 6/2	HV 6/2-8	
	∅ varnished wire	0,315	0,355
	windings / groove	370	316
	rated voltage	230/400 V - 50 Hz	230/400 V - 50 Hz
	insulant class	F	F
	connection	series	series

WÜRGES · Vibrationstechnik GmbH
Daimlerstraße 9
D-86356 Neusäß/Augsburg
Telefon: 0049/821/463081
Telefax: 0049/821/463084
e-Mail: info@wuerges.de
Internet: http://www.wuerges.de

