

HV 30/2

List of spares

When placing orders for spares, never forget to mention the required number of pieces, the type or

number; for illustration no. 1 also the voltage and periodicity.

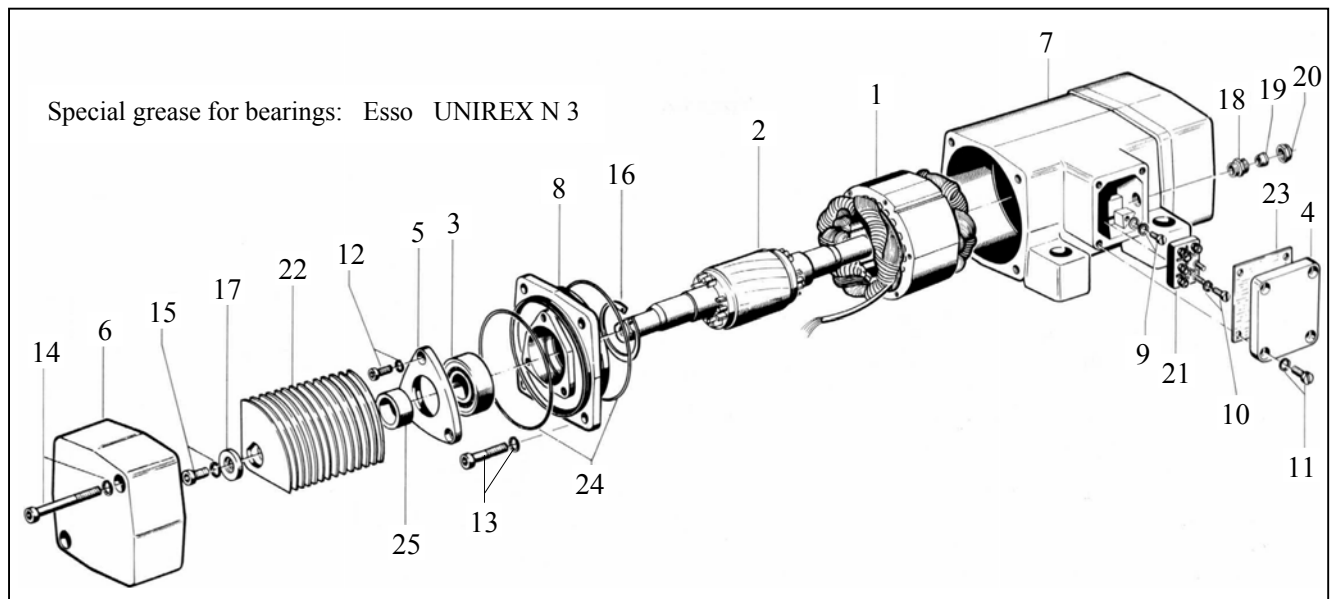


Fig. No.	Order No.	Pieces
1	58501	1
2	47501	1
3	25001	2
4	00401	1
5	03301	2
6	03801	2
7	07101	1
8	07201	2

Fig. No.	Order No.	Pieces
9	21101	1
10	21201	2
11	21301	4
12	22201	6
13	22701	4
14	23011	4
15	23101	4
16	26301	2

Fig. No.	Order No.	Pieces
17	27801	2
18	29501	1
19	29601	1
20	29701	1
21	50801	1
22	75371	28
23	75801	1
24	75951	4
25	76411	2

Particulars of winding

∅ varnished wire	0,63 + 0,61
windings / groove	37/37
rated voltage	230/400 V - 50 Hz
insulant class	F
connection	series

WÜRGES · Vibrationstechnik GmbH
 D-86356 Neusäß/Augsburg
 Daimlerstraße 9
 telefon: 0049/821/463081
 telefax: 0049/821/463084
 e-Mail: info@wuerges.de
 internet: http://www.wuerges.de

