

HV 12/4-42 HV 12/6-42

List of spares

When placing orders for spares, never forget to mention the required number of pieces, the type or

number; for illustration no. 7 also voltage and periodicity.

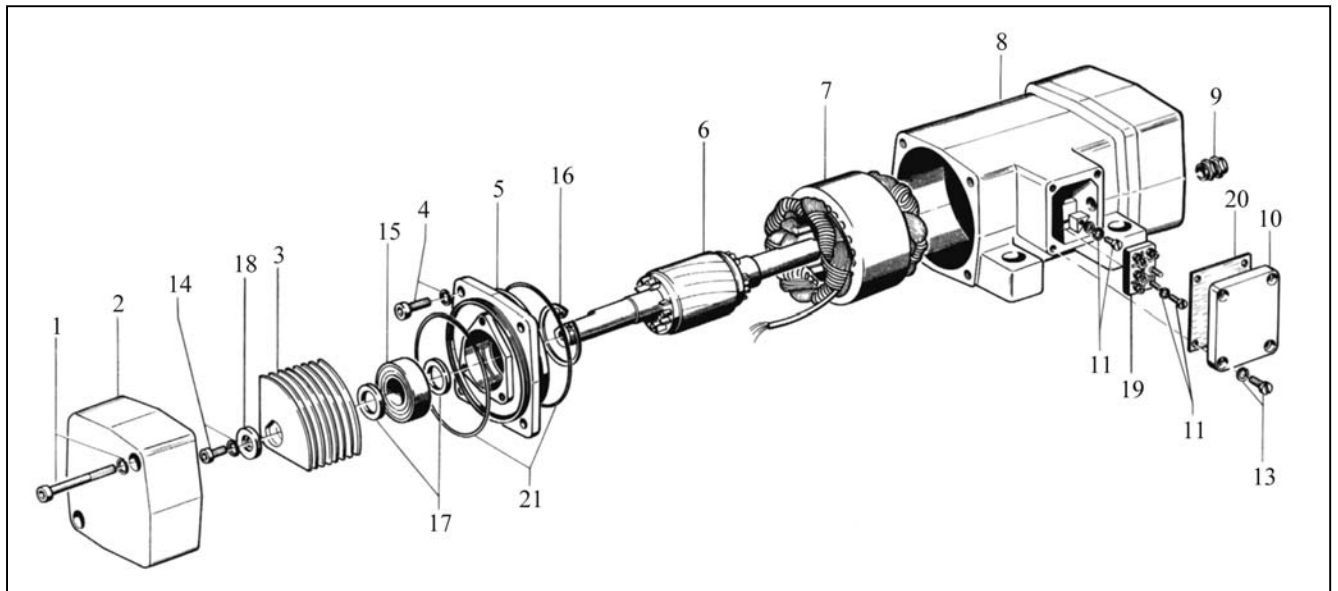


	Fig. No.	Order No.	Pieces
HV 12/4-42			
	6	46711	1
	7	57601	1

	Fig. No.	Order No.	Pieces
HV 12/6-42	6	46811	1
	7	57701	1

Fig. No.	Order No.	Pieces
1	23001	8
2	03801	2
3	75371	30
4	22901	8
5	03701	2
8	03611	1
9	29491	1
10	00401	1
11	21101	3

Fig. No.	Order No.	Pieces
13	21301	4
14	23101	2
15	24501	2
16	26301	2
17	27501	5
18	27801	2
19	50801	1
20	75801	1
21	75931	4

Particulars of winding

type	HV 12/4-42	HV 12/6-42
∅ varnished wire	0,475	0,425
windings / groove	187	175
rated voltage	230/400 V - 50 Hz	230/400 V - 50 Hz
insulant class	F	F
connection	series	series

WÜRGES · Vibrationstechnik GmbH
Daimlerstraße 9
D-86356 Neusäß/Augsburg
telefon: 0049/821/463081
telefax: 0049/821/463084
e-Mail: info@wuerges.de
Internet: <http://www.wuerges.de>

