

**HV 12/2
HV 12/4-30**

List of spares

When placing orders for spares, never forget to mention the required number of pieces, the type or

number; for illustration no. 7 also the voltage and periodicity.

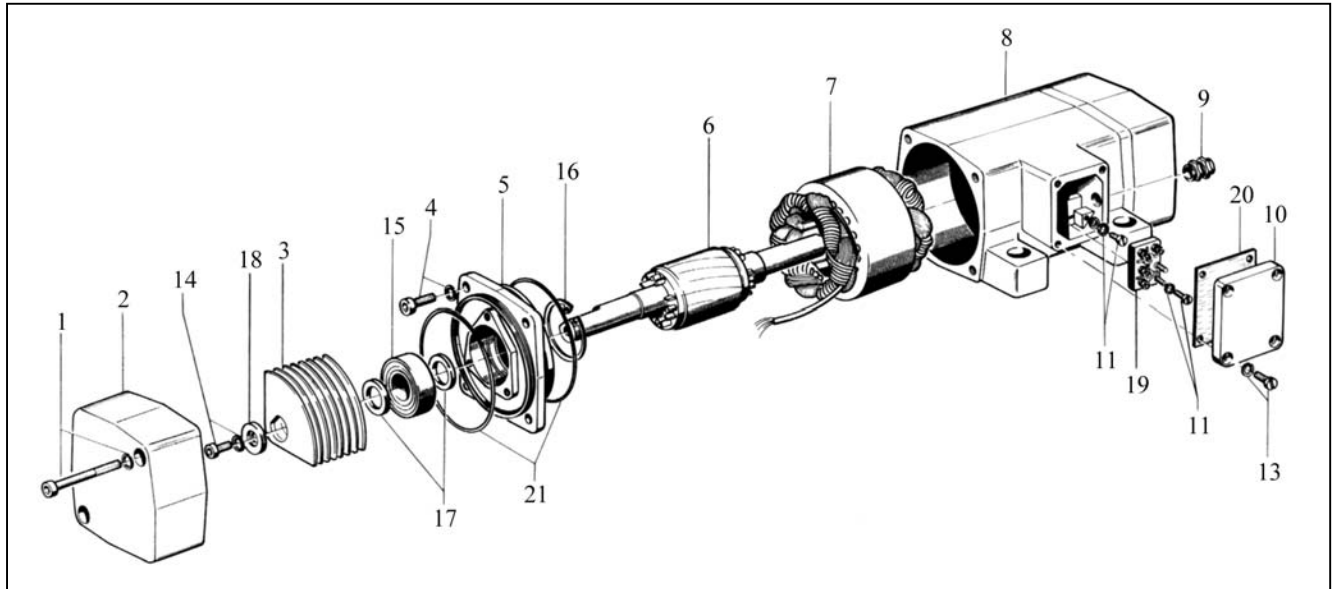


Fig. No.	Order No.	Pieces	
HV 12/2	1	23501	4
	2	03201	2
	3	75341	16
	6	46901	1
	7	57501	1
HV 12/4-30	1	23601	4
	2	03501	2
	3	75341	40
	6	46911	1
	7	57601	1

Fig. No.	Order No.	Pieces
4	23201	4
5	03101	2
8	03001	1
9	29491	1
10	00401	1
11	21101	3
13	21301	4
14	23101	2
15	24501	2
16	26301	2

Fig. No.	Order No.	Pieces
17	27501	3
18	27801	2
19	50801	1
20	75801	1
21	75931	4

Particulars of winding

	HV 12/2	HV 12/4-30
∅ varnished wire	0,6	0,5
windings / groove	98	178
rated voltage	230/400 V - 50 Hz	230/400 V - 50 Hz
insulant class	F	F
connection	series	series

WÜRGES · Vibrationstechnik GmbH
 Daimlerstraße 9
 D-86356 Neusäß/Augsburg
 telefon: 0049/821/463081
 telefax: 0049/821/463084
 e-Mail: info@wuerges.de
 Internet: http://www.wuerges.de

