

Vibration motors

Oscillating Converters

SR-2
SR-15
SR-30
SR-55

Instructions of operation
and
List of Spares



Important remarks concerning the personal safety of operators



These instructions must be understood by each operator, who is in charge of the assembly, putting into operation, maintenance and repair work of vibration motors with oscillating converters.

Unauthorized changes with the motors and specific execution for the client are excluded from the manufacturer's guarantee for resulting damage.

The corresponding operating instructions of the vibration motor used together with the oscillating converter has to also be consulted for a better understanding of these operating instructions.

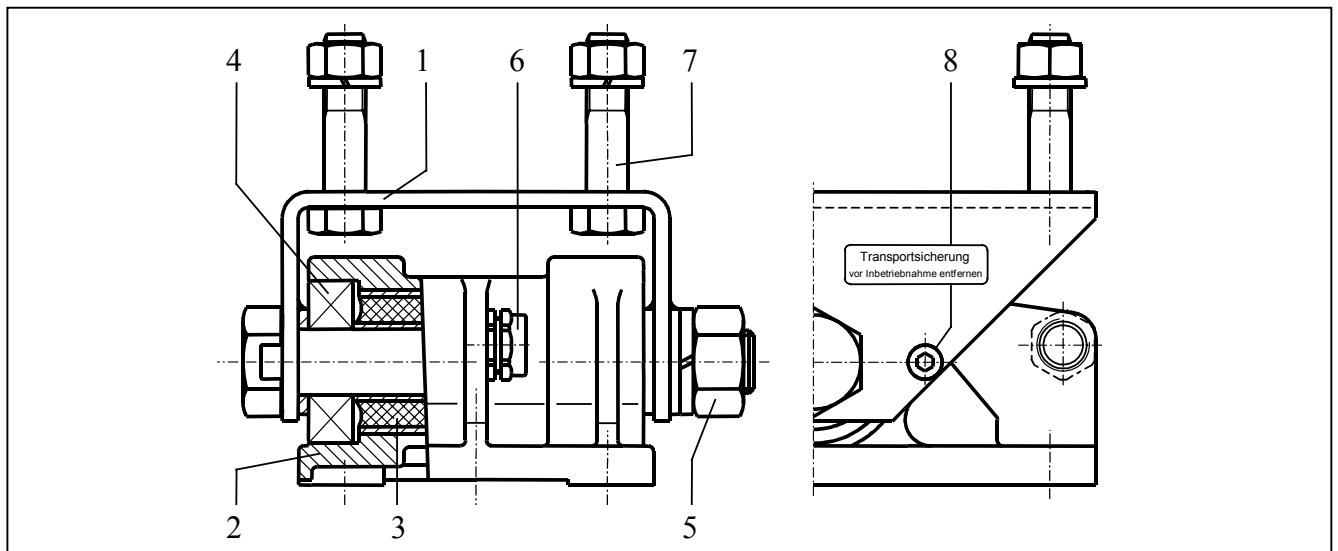
It is an implied feature of vibration motors that they generate destructive forces. In case of improper use, these destructive forces are apt to cause danger, e.g. the motor or components thereof can drop uncontrolled after getting loose from the fastening means. As a precaution, safety measures must be adopted.

Our vibration motors have been manufactured in accordance with the latest art. In case of use as provided, they are sure to operate.

Structure

The upper part is lodged soft bending in the torsion sleeve opposite the lower part towards the side. It is connected

vertically with the lower part free of backlash above the ball bearing and shaft.



| | |
|---|--|
| 1 | upper part for fitting the motor |
| 2 | lower part for fastening the utility device |
| 3 | Torsionshülse the torsion sleeve |
| 4 | Lager bearings |
| 5 | the shaft with the tension screws or nuts |
| 6 | the cable screwed connections |
| 7 | the screws for fastening the vibration motor |
| 8 | the transportation securing device |

WÜRGES · Vibrationstechnik GmbH
D-86356 Neusäß/Augsburg
Daimlerstraße 9

Tel.: 0049/821/463081
Fax : 0049/821/463084
e-Mail: info@wuerges.de
Internet: <http://www.wuerges.de>



How It Functions

The circular oscillation of the vibration motor is transmitted almost linearly through the converter to the utility device. Only the oscillations occurring horizontally to the motor

fastening surface are passed onto the lower part. The transverse oscillation is run out from the upper part.

Instructions for Mounting

Intended Use

Oscillating converters are only designed for use in vibration technology as connecting links between vibration motors and utility devices. All use going beyond this shall be deemed as nonintended use.

Instructions for Mounting

First of all, the vibration motor has to be screwed together with the oscillating converter. Please use the screws included for this (item 7) and fasten them with the appropriate torque (refer to the operating instructions for vibration motors, the section on mounting information).

Now the motor and oscillating converter can be built onto the utility device.

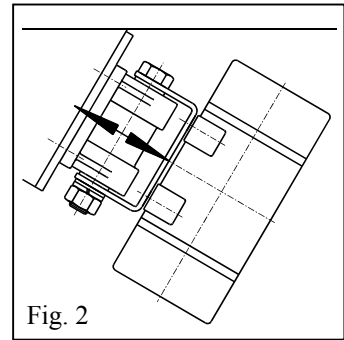
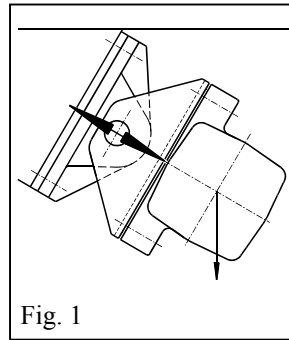
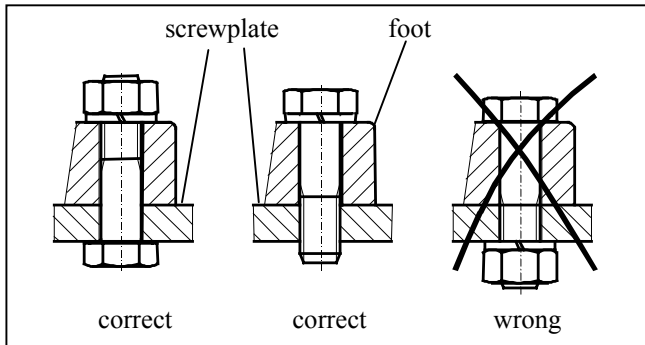


Fig. 1

Fig. 2

The mounting position as in Figure 2 with a vertical motor is preferable because the torsion sleeve is under less load.

The fastening surface for the oscillating converter has to be flat and stiff to bending so that the lower part cannot be deformed. Use quality class 8.8 fastening screws and quality class 6 nuts, secure them with split washers and tighten them with the same torsion as earlier when fastening the motor.



The minimum torque are: $M 12 = 90 \text{ Nm}$ $M 16 = 150 \text{ Nm}$

Information on the Electrical Connection

Connect the cable in accordance with the operating instructions for the motor and always use the heavy rubber hose line NSSHÖU-J as stated. The cable should be put

through the cable screwed connections on the lower part again in a tight arch to avoid damaging natural oscillations.

Instructions for First Start Up



The upper part of the oscillating converter was rigidly fixed onto the lower part with a transportation securing screw at the factory. Therefore, you should always remove this screw before starting up as stated on the glued on sign. Check the connecting line for impermissible resonating oscillation and chafe marks during operation and change the cable's position if necessary.

After the first two hours of operation the screws or nuts must be checked for tight seating. Subsequent inspections shall be performed once daily. In case of necessity the screws or nuts must be retightened.



If the screws have slackened, danger of breakage for the feet of the vibrator is impending.

Posterior tightening of screws and nuts

Storage and Transportation

The transportation securing device may be temporarily re-mounted during transportation. However, you should also

make reference to this hazard point action in your own operating instructions in accordance with Point 7.

