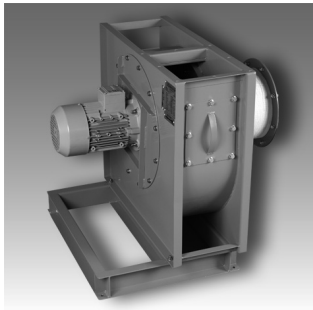


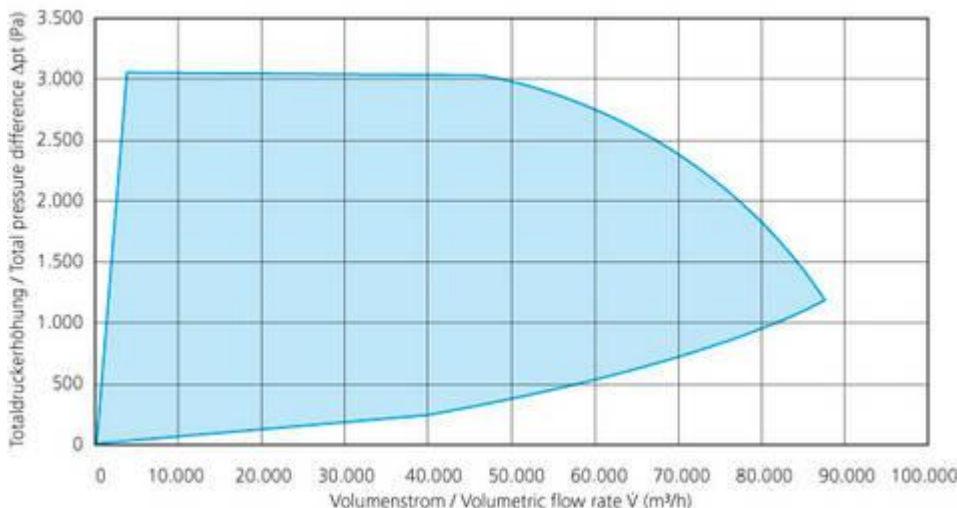
Low Pressure Fans

Conveying of large air volumes
at smaller and medium system resistance!



Particular characteristics of the CFL series:

- Rugged fan housing made from steel sheet
- Impellers with suction on one side with welded blades with backwards curvature made from steel sheet
- Maintenance-free squirrel-cage motors with protection rating IP 55
- Fans with right-hand or left-hand turning
- Direct drive with base motor B3 or flange motor B5 • V-belt drive can be supplied with base frame
- On request 2-stage, continuous for frequency converter operation
- Many accessories, such as connector spigots, cleaning apertures, condensate draining spigots etc.
- Non-standard fans for special conditions, e.g. higher temperatures of medium and/or environment, extended corrosion protection, fan sealing, special voltage, special frequency, increased protection rating



CFL applications:

- Conveying large quantities of air with small and medium resistance in the system
- Extraction of gases and vapours
- Cooling of instruments and parts of machinery
- Ventilation of rooms (supply and extraction)
- Air supply to gas, oil and coal furnaces
- Drying of various different parts
- Air supply to electrical machinery