



**DISK SILENCERS now...**

...significantly reduced in price!

...also available for -protected blowers!



**Disk silencers**

- Made by Elektor -

# The „muzzle“ for the discharge side

## Do you operate your blower with open discharge side?

Many blowers operate with open discharge side, i.e. there is no tubing connected to this side. If a blower is operated in this way comparably high sound levels are produced on the discharge side. This effect is caused by the missing natural sound absorption of a connected tubing. Consequently airflow and turbulence noises are able to escape outside easily.

## We have the solution - now significantly reduced in price!

Elektror disk silencers are mounted directly onto the housing cover lid and so largely absorb the sound that is produced at the discharge.

As a result of constructive measurements we were able to reduce the manufacturing costs and therewith the prices of the disk silencers - of course without changing performance data or service life.

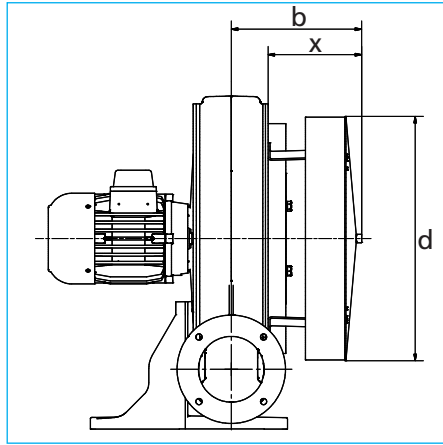


## The most important points in brief

- Noise reduction on discharge side up to -10 dB(A)
- Compact design
- Made of durable aluminium (mounting parts are made of rust-proof steel)
- Non-combustible sound absorbing material
- Long service life
- Especially design for each type of blower
- No change of performance data of blower
- Also available in ATEX design (with electroconductive sound absorbing material)
- Delivery time standard disk silencer: 5 days
- Delivery time ATEX disk silencer: 20 days



# Our disk silencers at a glance



Type	Noise reduction [dB (A)]	b [mm]	x [mm]	d [mm]	Article No.	Article No. ATEX design
<b>Medium pressure blowers</b>						
RD 5, RE 5	up to 8	210	150	370	017168	017169
RD 6, RE 6	up to 10	212	150	370	017170	017171
RD 62	up to 6	221	149	370	017172	017173
RD 64	up to 6	229	149	370	017172	017173
RD 65	up to 8	257	195	370	017174	017175
RD 7						
RD 72	up to 10	345	260	464	017176	017177
RD 74						
RD 8						
RD 82	up to 11	333	256	600	001443	on request
RD 84						
RD 92						
RD 94	up to 8	463	335	700	000444	on request
<b>High pressure blowers</b>						
HRD 1...T	up to 8	194	145	250	017160	017161
HRD 14...T	up to 8	200	137	250	017162	017163
HRD 2...T	up to 9	206	142	370	017166	017167
HRD 60...	up to 10	212	150	370	017170	017171
HRD 65...	up to 8	257	195	370	017174	017175
HRD 7...	up to 10	345	260	464	017176	017177



## Disk silencers made by Elektor

### Further sound insulation accessories from Elektor:

- Sound enclosures
- Silencers
- Silencers for side channel blowers

Elektor airsystems gmbh  
Hellmuth-Hirth-Str. 2  
D-73760 Ostfildern  
Phone: +49 (0)711 31973-0  
Fax: +49 (0)711 31973-5000  
info@elektor.com  
www.elektor.com

