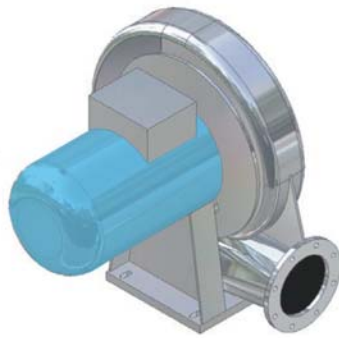
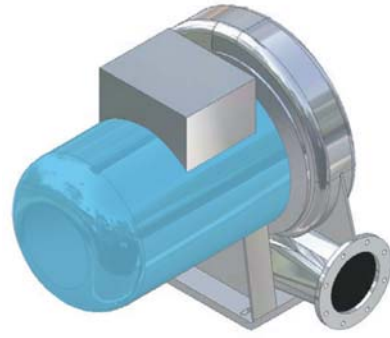




small motor size

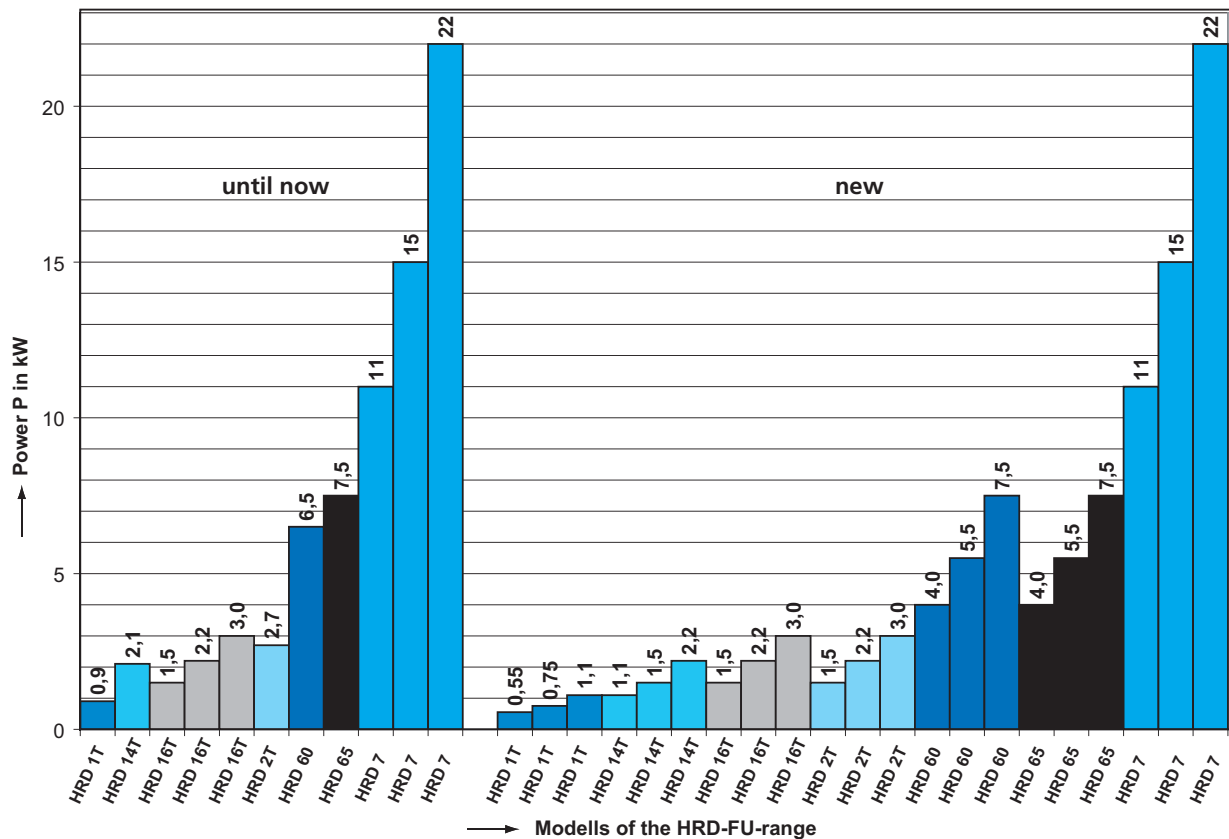


medium motor size



large motor size

Overview - adapted motor program



High pressure blowers for FU/FUK-use - at a glance:

previous type description	previous motor rating	graduation [kW] with motor size	new type description	Article-No. FU	Article-No. FUK
Article-No.: HRD 1T FU-105/0,9 101628	0,9kW NRD 80L/2	0,55 kW NRD71S/2 0,75 kW NRD71L/2 1,10 kW NRD80S/2	HRD 1T FU-105/0,55 HRD 1T FU-105/0,75 HRD 1T FU-105/1,1	101625 100209 101651	101713 101714 101715
HRD 14T FU-105/2,1 101630	2,1kW NRD 90L/2	1,10 kW NRD80S/2 1,50 kW NRD80L/2 2,20 kW NRD90S/2	HRD 14T FU-105/1,1 HRD 14T FU-105/1,5 HRD 14T FU-105/2,2	101664 101642 101665	101716 101721 101724
HRD 16T FU-105/1,5 HRD 16T FU-105/2,2 HRD 16T FU-105/3,0	previous version remains unchanged	1,50 kW NRD80S/2 2,20 kW NRD80L/2 3,00 kW NRD90S/2	HRD 16T FU-105/1,5 HRD 16T FU-105/2,2 HRD 16T FU-105/3,0	100214 100196 100216	101727 101729 101734
HRD 2T FU-95/2,7 101626	2,7kW NRD 90L/2	1,50 kW NRD80L/2 2,20 kW NRD90S/2 3,00 kW NRD90L/2	HRD 2T FU-95/1,5 HRD 2T FU-95/2,2 HRD 2T FU-95/3,0	101691 101692 101693	101736 101737 101742
HRD 60 FU-105/7,5 101649	6,5kW NRD 112L/2	4,00 kW NRD100L/2 5,50 kW NRD112M/2 7,50 kW NRD112L/2	HRD 60 FU-105/4,0 HRD 60 FU-105/5,5 HRD 60 FU-105/7,5	101658 101666 100217	101768 101747 101838
HRD 65 FU-100/7,5 101704	7,5kW NRD 112L/2	4,00 kW NRD100L/2 5,50 kW NRD112M/2 7,50 kW NRD112L/2	HRD 65 FU-100/4,0 HRD 65 FU-100/5,5 HRD 65 FU-100/7,5	101706 101711 101704	101773 101717 101766
HRD 7 FU-105/11 HRD 7 FU-105/15 HRD 7 FU-105/20	previous version remains unchanged	11 kW NRD132SX/2 15 kW NRD132M/2 20 kW NRD132M/2	HRD 7 FU-105/11 HRD 7 FU-105/15 HRD 7 FU-105/20	101791 101743 101796	not possible