

Elektor



**PRODUCT
REVIEW
STEEL
INDUSTRIAL
FANS**

Centrifugal
Low Pressure
Fans

CFL

Centrifugal
Medium Pressure
Fans

CFM

Centrifugal
High Pressure
Fans

CFH

Centrifugal
Extrem High
Pressure Fans

CFXH

Centrifugal
Conveying
Fans

CFMT

Axial
Medium Pressure
Fans

MAF

Axial
High Pressure
Fans

HAFC

Axial
Roof Fans

MAFR

Axial
Garage Fans

MAFG

Axial
Wall Fans

MAFW



TECHNICAL INFORMATION

Conversion table

Units of measurement

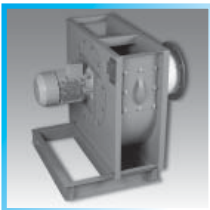
	from unit of measurement	with conversion factor	in units of measurement	from units of measurement	with conversion factor	into units of measurement
Pressure	bar	1000	mbar	mbar	0,001	bar
Pressure	mbar	100	Pa	Pa	0,01	mbar
Pressure	mmWS	0,098	mbar	mbar	10,2	mm H ₂ O
Pressure	mWS	98,07	mbar	mbar	0,0102	m H ₂ O

European units of measurement in the USA

	from SI-unit of measurement	with conversion factor	into anglo-amer. unit of measur.	from anglo-amer. unit of measur.	with conversion factor	from SI-units of measurement
Pressure	bar	0,014	psi = lb/in ²	psi = lb/in ²	68,95	mbar
Pressure	mbar	14,5	psi = lb/in ²	psi = lb/in ²	0,068	bar
Pressure	mmWS	0,402	inches water	inches water	2,49	mbar
Volumetric flow rate	m ³ /min	264,2	gal/min	gal/min	0,003	m ³ /min
Volumetric flow rate	m ³ /min	35,31	cfm	cfm	0,028	m ³ /min
Electrical Power output	kW	1,341	hp	hp	0,746	kW
Length	mmWS	0,039	inches water	inches water	25,4	mm
Length	m	39,37	inches water	inches water	0,025	m
Length	mmWS	0,003	ft	ft	305	mm
Length	m	3,28	ft	ft	0,305	m
Weight	kg	2,05	lb	lb	0,454	kg

Example for conversion

Pressure	180 mbar	0,014	2,61 PSI	2,61 PSI	68,95	180 mbar
Volumetric flow rate	6 m ³ /min	35,31	211,8 ft ³ /min	211,8 ft ³ /min	0,283	6 m ³ /min



CENTRIFUGAL LOW PRESSURE FANS

up to 87.000 m³/h and 3.100 Pa

Page 4

CFL



CENTRIFUGAL MEDIUM PRESSURE FANS

up to 99.000 m³/h and 5.400 Pa

Page 5

CFM

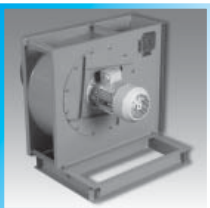


CENTRIFUGAL HIGH PRESSURE FANS

up to 115.000 m³/h and 9.000 Pa

Page 6

CFH



CENTRIFUGAL EXTREM HIGH PRESSURE FANS

up to 104.000 m³/h and 13.900 Pa

Page 7

CFXH



CENTRIFUGAL CONVEYING FANS

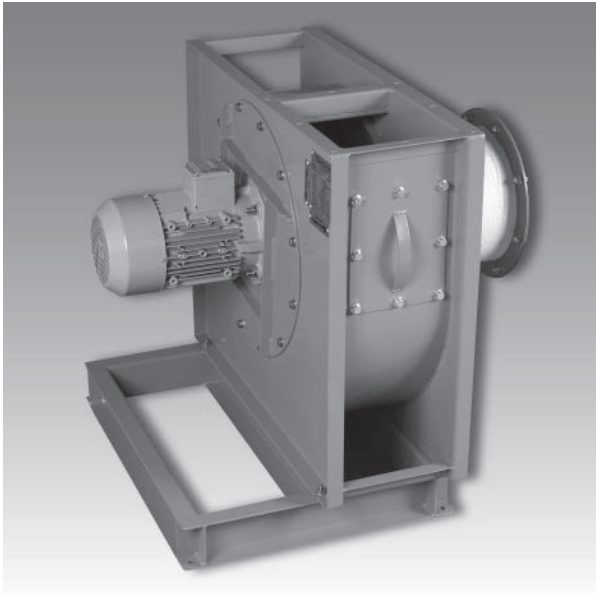
up to 29.500 m³/h and 6.100 Pa

Page 8

CFMT

CENTRIFUGAL LOW PRESSURE FANS

CFL



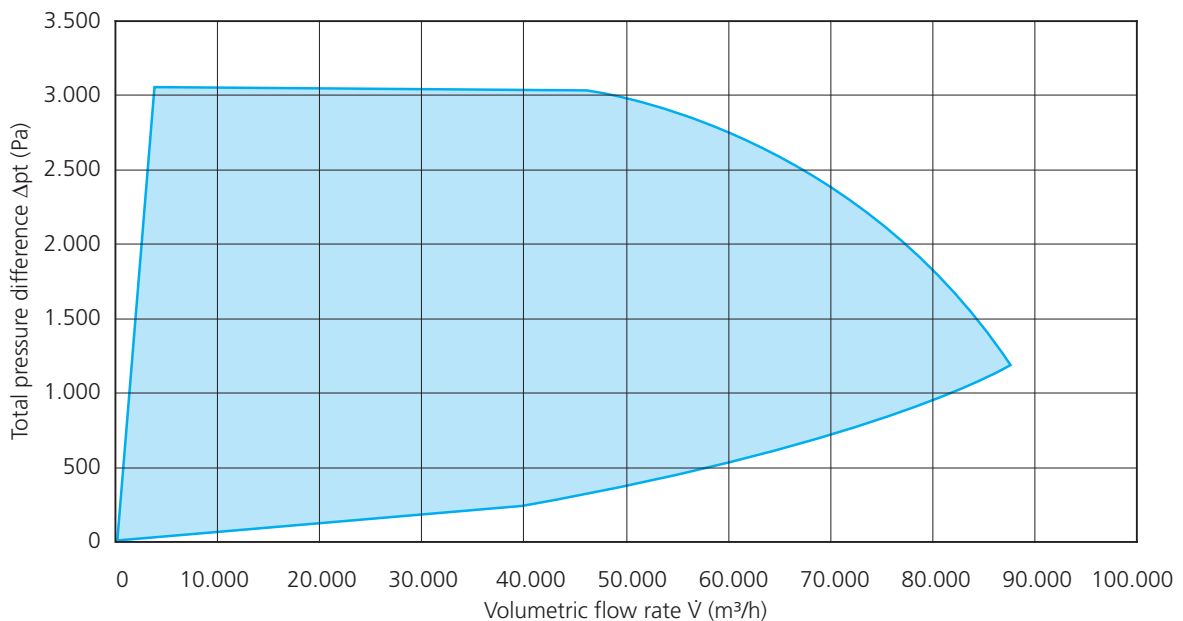
CFL range

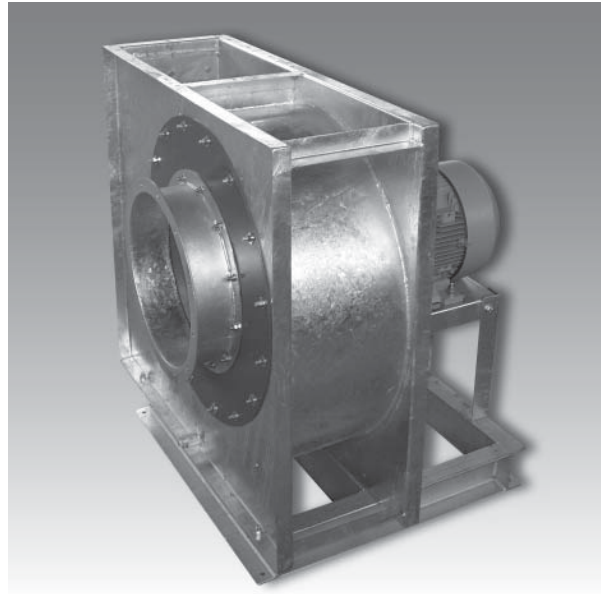
Rectangular casing welded from mild steel, impellers unilaterally sucking with welded, backward-bent circular arch vanes from steel. Low-maintenance squirrel cage motors to IP 55. The fans can be supplied in clockwise or anti-clockwise rotation. Direct driven with conventional motor B3 or flange motor B5, belt driven with base frame. Variable execution, 2-step speed variable, stepless by frequency converter. A variety of accessories like connectors, inspection door, drainage plug etc.

Special designs for specific applications, e. g. for higher media flow and ambient temperatures, with improved corrosion protection, with sealed housing parts, for special voltage and frequency.

Applications

- Conveying of high air volumes at low and medium system resistance
- Extracting fumes and vapours
- Cooling apparatus and machinery parts
- Ventilation of rooms
- Forced air supply for gas, oil and coal fired systems
- Drying parts of various size and composition
- Supplementary cooling of electric machines



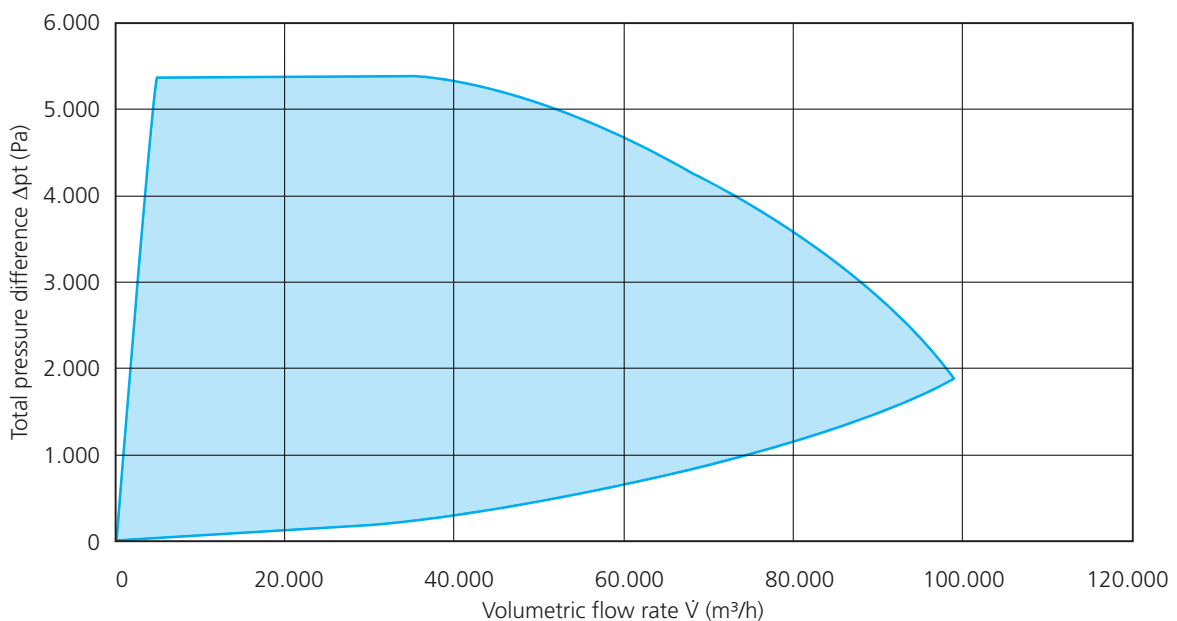


Applications

- Conveying of high air volumes at higher system resistance
- Ventilation of installations with higher system resistance
- Air supply for drying installations
- Ventilation of rooms/buildings
- Air supply for filters and dust extraction

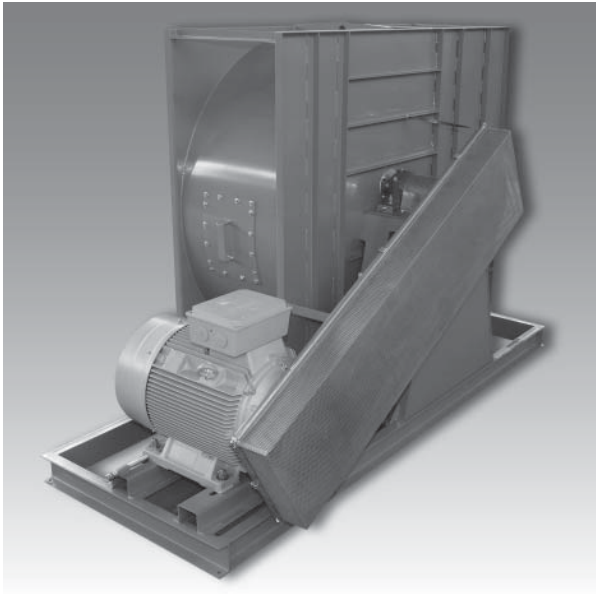
CFM range

Rectangular casing welded from mild steel, impellers unilaterally sucking with welded, backward-bent circular arch vanes from steel. Low-maintenance squirrel cage motors to IP 55. The fans can be supplied in clockwise or anti-clockwise rotation. Direct driven with conventional motor B3 or flange motor B5, belt driven with base frame. Variable execution, 2-step speed variable, stepless by frequency converter. A variety of accessories like, connectors, inspection door, drainage plug etc. Special fans for specific applications, e.g. for higher media flow and ambient temperatures, with improved corrosion protection, with sealed housing parts, for special voltage and frequency.



CENTRIFUGAL HIGH PRESSURE FANS

CFH



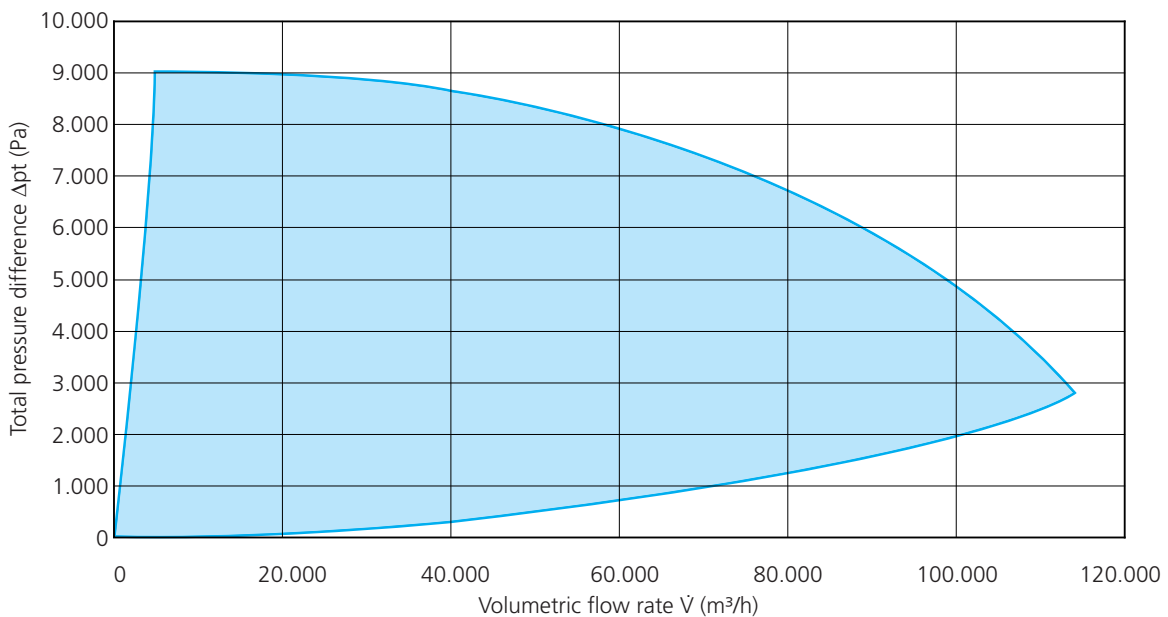
CFH range

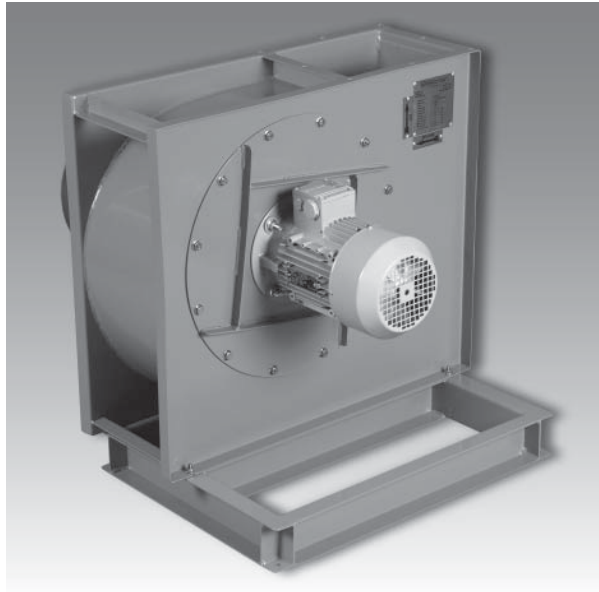
Rectangular casing welded from mild steel, impellers unilaterally sucking with welded, backward-bent circular arch vanes from steel. Low-maintenance squirrel cage motors to IP 55. The fans can be supplied in clockwise or anti-clockwise rotation. Direct driven with conventional motor B3 or flange motor B5, belt driven with base frame. Variable execution, 2-step speed variable, stepless by frequency converter. A variety of accessories like, connectors, inspection door, drainage plug etc.

Special fans for specific applications, e. g. for higher media flow and ambient temperatures, with improved corrosion protection, with sealed housing parts, for special voltage and frequency.

Applications

- Conveying of high volumes at higher system resistance
- Vacuum operation
- Forced air supply for gas, oil and coal fired systems
- Air supply for drying installations





Applications

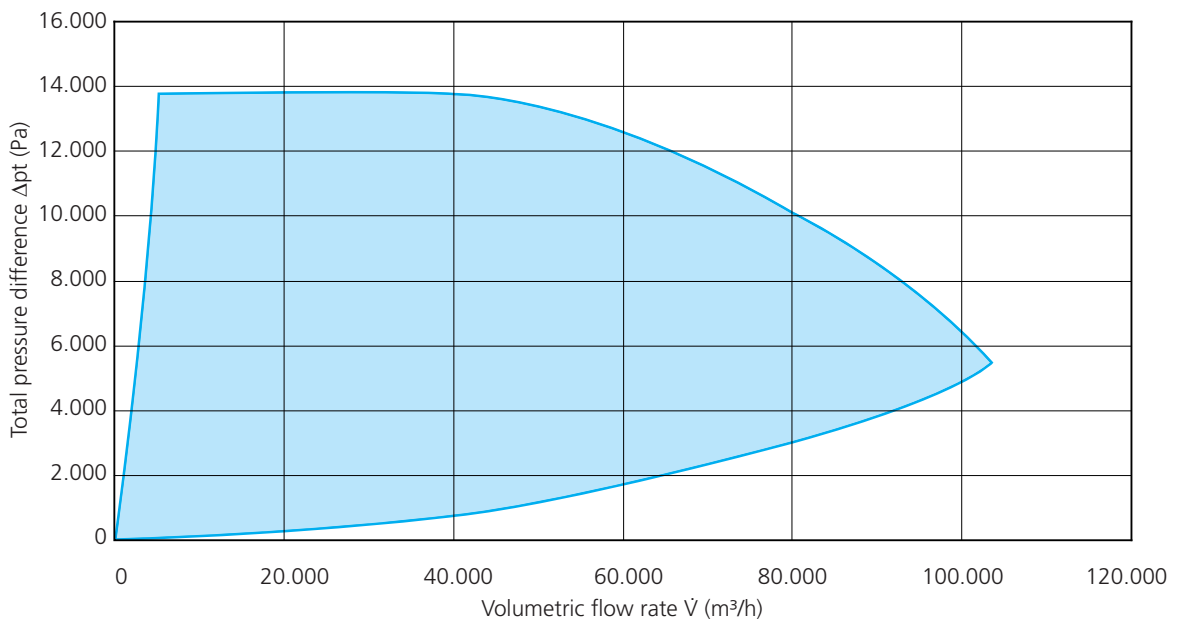
- Conveying of high air volumes at very high system resistance
- Air tube conveying
- Cooling of Power station
- Ventilation of rooms/buildings

CFXH range

Rectangular casing welded from mild steel, impellers unilaterally sucking with welded, backward-bent circular arch vanes from steel. Low-maintenance squirrel cage motors to IP 55. The fans can be supplied in clockwise or anti-clockwise rotation. Direct driven with contentional motor B3 or flange motor B5, belt driven with base frame.

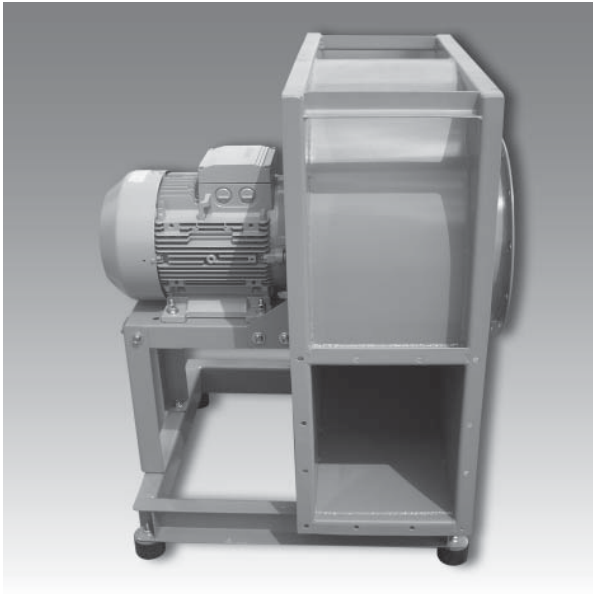
Variable execution, 2-step speed variable, stepless by frequency converter. A variety of accessories as connectors, inspection door , drainage plug etc.

Special fans for specific applications, e. g. higher media flow and ambient temperatures, with improved corrosion protection, with sealed housing parts, for special voltage and frequency.



CENTRIFUGAL CONVEYING FANS

CFMT



CFMT range

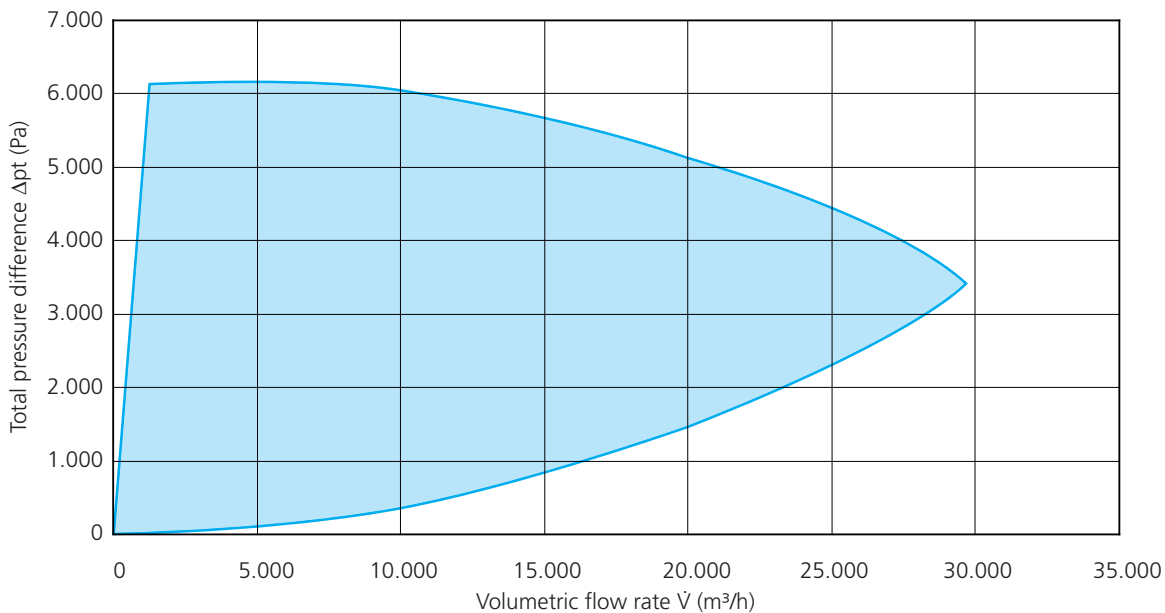
Rectangular casing welded from mild steel, impellers unilaterally sucking with welded, backward-bent circular arch vanes from steel. Low-maintenance squirrel cage motors to IP 55. The fans can be supplied in clockwise or anti-clockwise rotation. Direct driven with conventional motor B3 or flange motor B5, belt driven with base frame.

Variable execution, 2-step speed variable, stepless by frequency converter. A variety of accessories as connectors, inspection door, drainage plug etc.

Special fans for specific applications, e. g. higher media flow and ambient temperatures, with improved corrosion protection, with sealed housing parts, for special voltage and frequency.

Application

- Conveying of plastic granules, plastic waste and lightweight bulk materials of all kind provided there is no operational risk.





AXIAL MEDIUM PRESSURE FANS

up to 168.500 m³/h and 1.350 Pa

Page 10

MAF

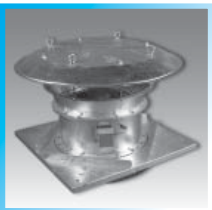


AXIAL HIGH PRESSURE FANS

up to 145.000 m³/h and 5.200 Pa

Page 11

HAFC



AXIAL ROOF FANS

up to 67.000 m³/h and 1.100 Pa

Page 12

MAFR



AXIAL GARAGE FANS

up to 168.500 m³/h and 2.600 Pa

Page 13

MAFG



AXIAL WALL FANS

up to 52.000 m³/h and 860 Pa

Page 14

MAFW

AXIAL MEDIUM PRESSURE FANS

MAF



MAF range

Casing of sheet-steel hot dip galvanized or painted with welded flanges.

Impellers made from aluminium or plastic.

Low-maintenance squirrel cage motors to IP 55.

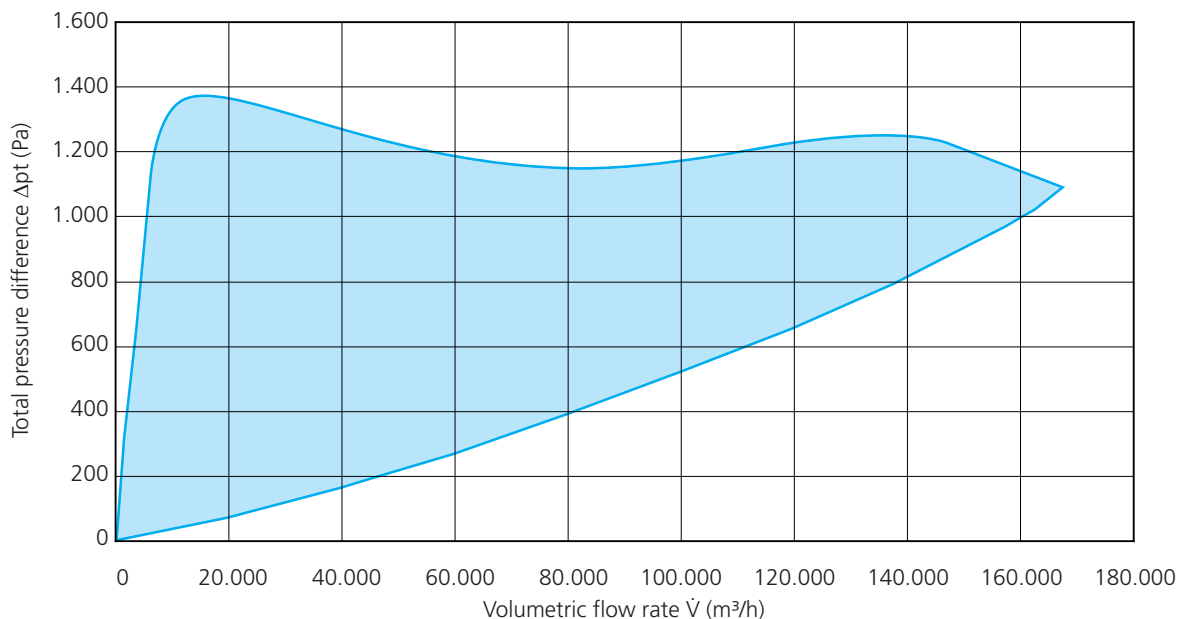
The fans can be supplied in clockwise, anti-clockwise rotation or reversible.

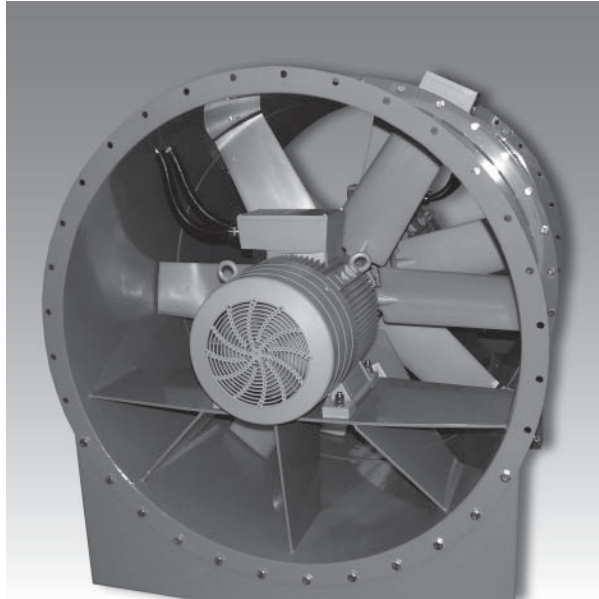
Direct driven with conventional foot motor B3. Variable execution, 2-step speed variable, stepless by frequency converter. A variety of accessories like connectors, feet, dampers etc.

Special designs for specific applications, e. g. for higher media flow and ambient temperatures, with improved corrosion protection, with sealed housing parts, for special voltage and frequency.

Applications

- Conveying of high air volumes at low and medium system resistance
- Extracting fumes and vapours
- Cooling apparatus and machinery parts
- Ventilation of rooms
- Forced air supply for gas, oil and coal fired systems
- Drying parts of various size and composition
- Supplementary cooling of electric machines





Applications

- Conveying of high air volumes at higher system resistance
- Ventilation of installations with higher system resistance
- Air supply for drying installations
- Ventilation of rooms/buildings

HAFC range

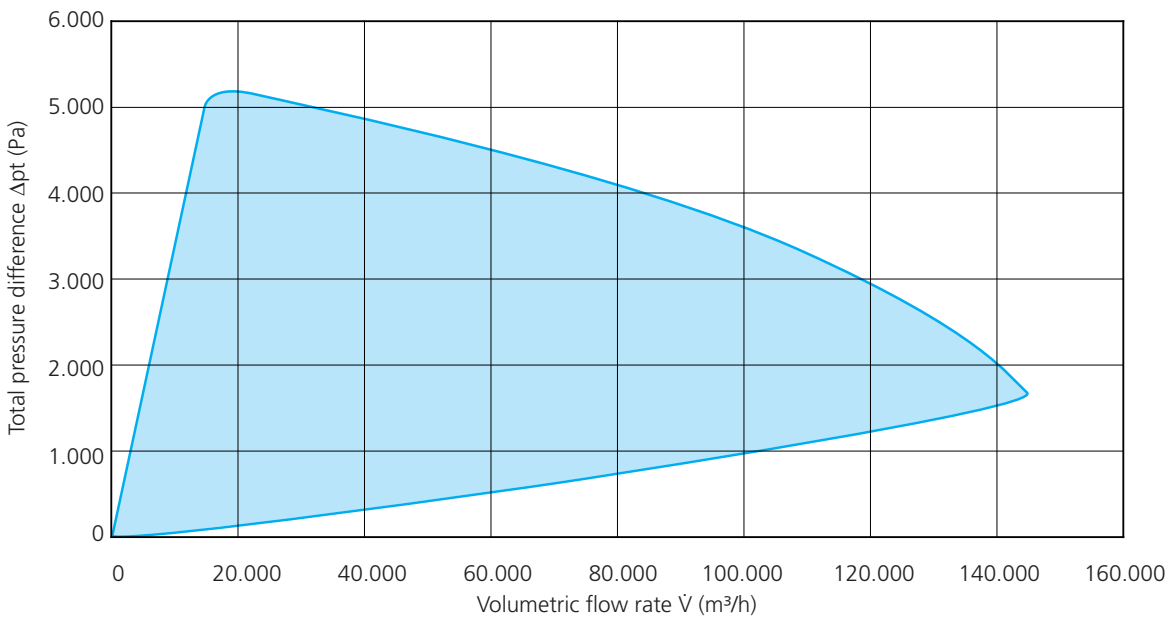
Casing of sheet-steel hot dip galvanized or painted with welded flanges.

Impellers made from aluminium or plastic.

Low-maintenance squirrel cage motors to IP 55. The fans are contra rotating in series with two impellers and two motors. Direct driven with conventional foot motor B3.

Variable execution, 2-step speed variable, stepless by frequency converter. A variety of accessories like, connectors, feet, dampers etc.

Special fans for specific applications, e.g. for higher media flow and ambient temperatures, with improved corrosion protection, with sealed housing parts, for special voltage and frequency.



AXIAL ROOF FANS

MAFR



MAFR range

Casing of sheet steel hot dip galvanized or painted with welded flanges.

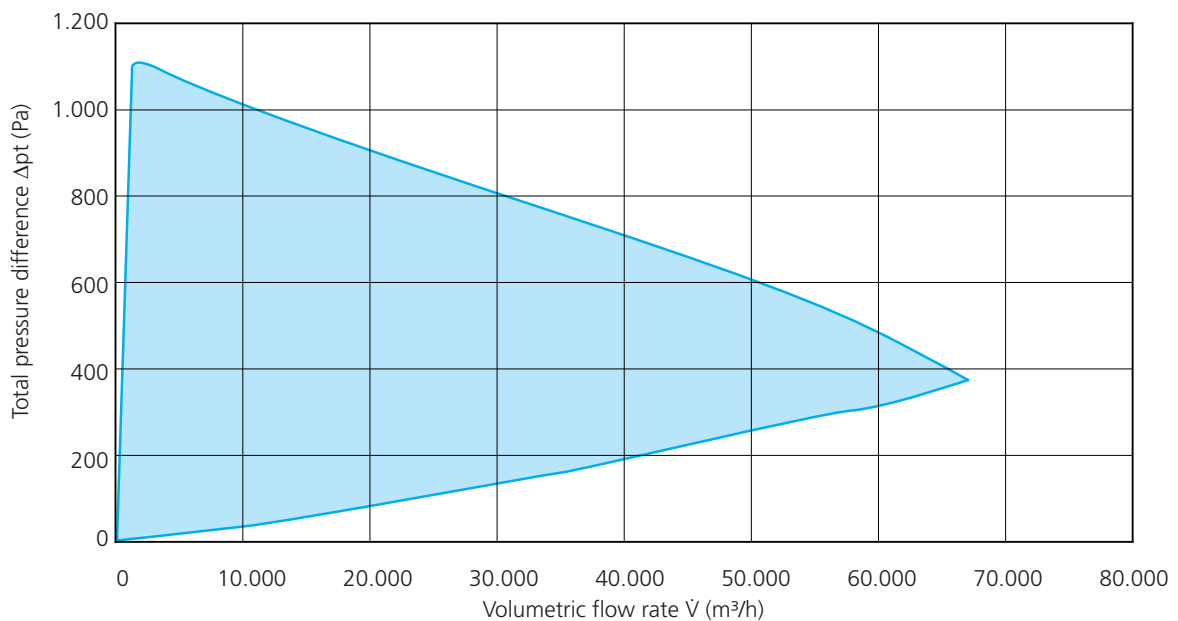
Impellers from aluminium or plastic . The mushroom-shaped roof hood and the base plate are also made from hot dip galvanized or painted sheet steel.

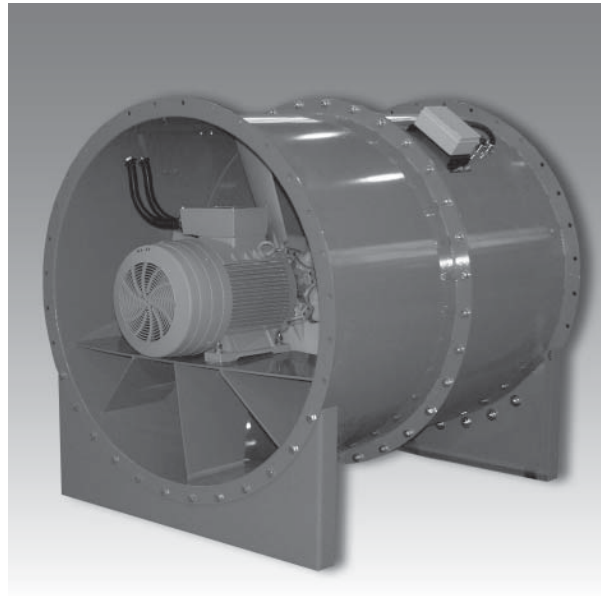
Low-maintenance squirrel cage motors to IP 55.

Direct driven with foot motor B3. Variable execution, 2-step speed variable, stepless by frequency converter.

Application

- Exhaustion of the air from halls/buildings



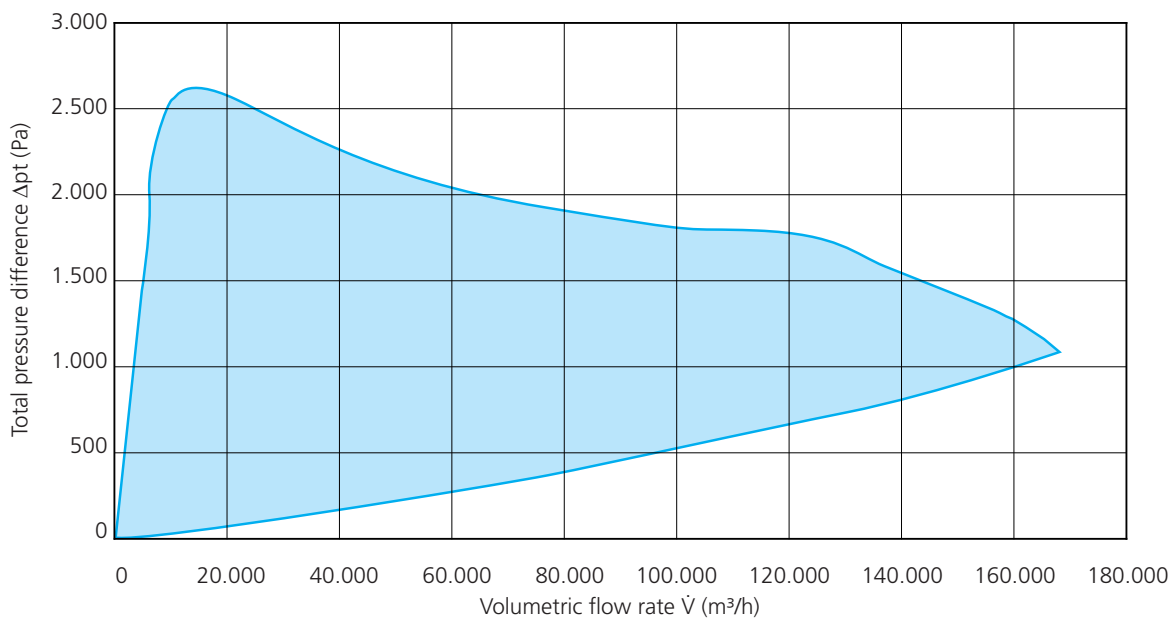


Applications

- Ventilation of garages
- Ventilation of rooms/buildings
- Exhaustion of gases and vapors

MAFG range

Two fans connected in series with a flow straightener. Casing of sheet steel hot dip galvanized or painted with welded flanges. Impellers made from aluminium or plastic. Low-maintenance squirrel cage motors to IP 55. Direct driven with conventional foot motor B3. Variable execution, 2-step speed variable, stepless by frequency converter. A variety of accessories like, connectors, feet, dampers etc. Special fans for specific applications, e. g. for higher media flow and ambient temperatures, with improved corrosion protection, with sealed housing parts, for special voltage and frequency.



AXIAL WALL FANS

MAFW

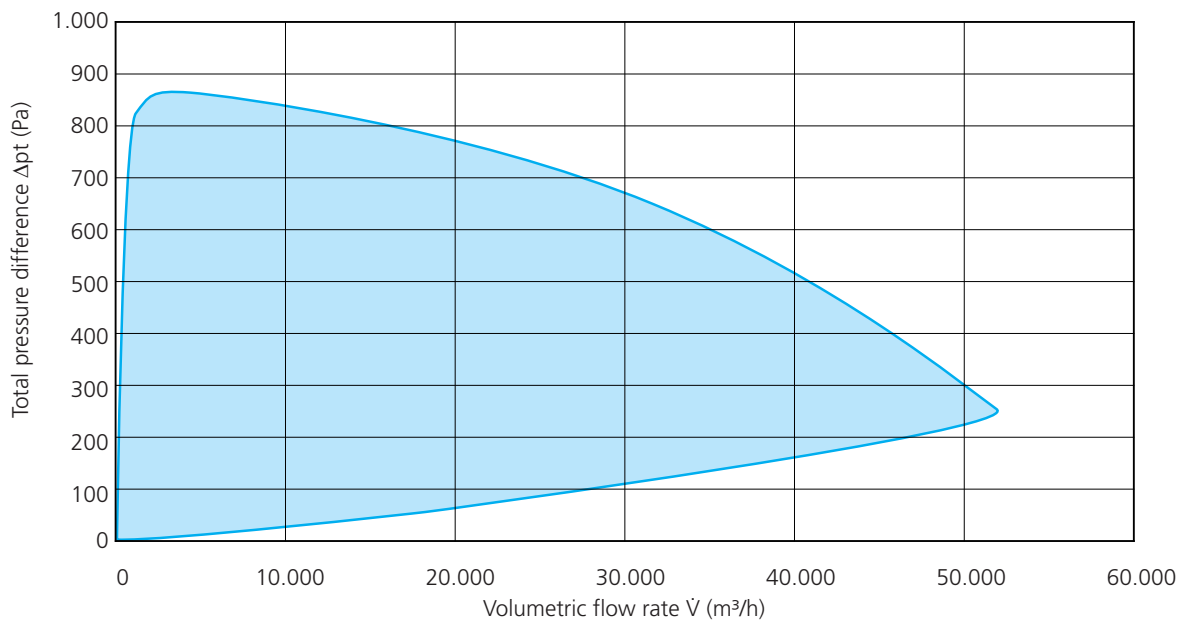


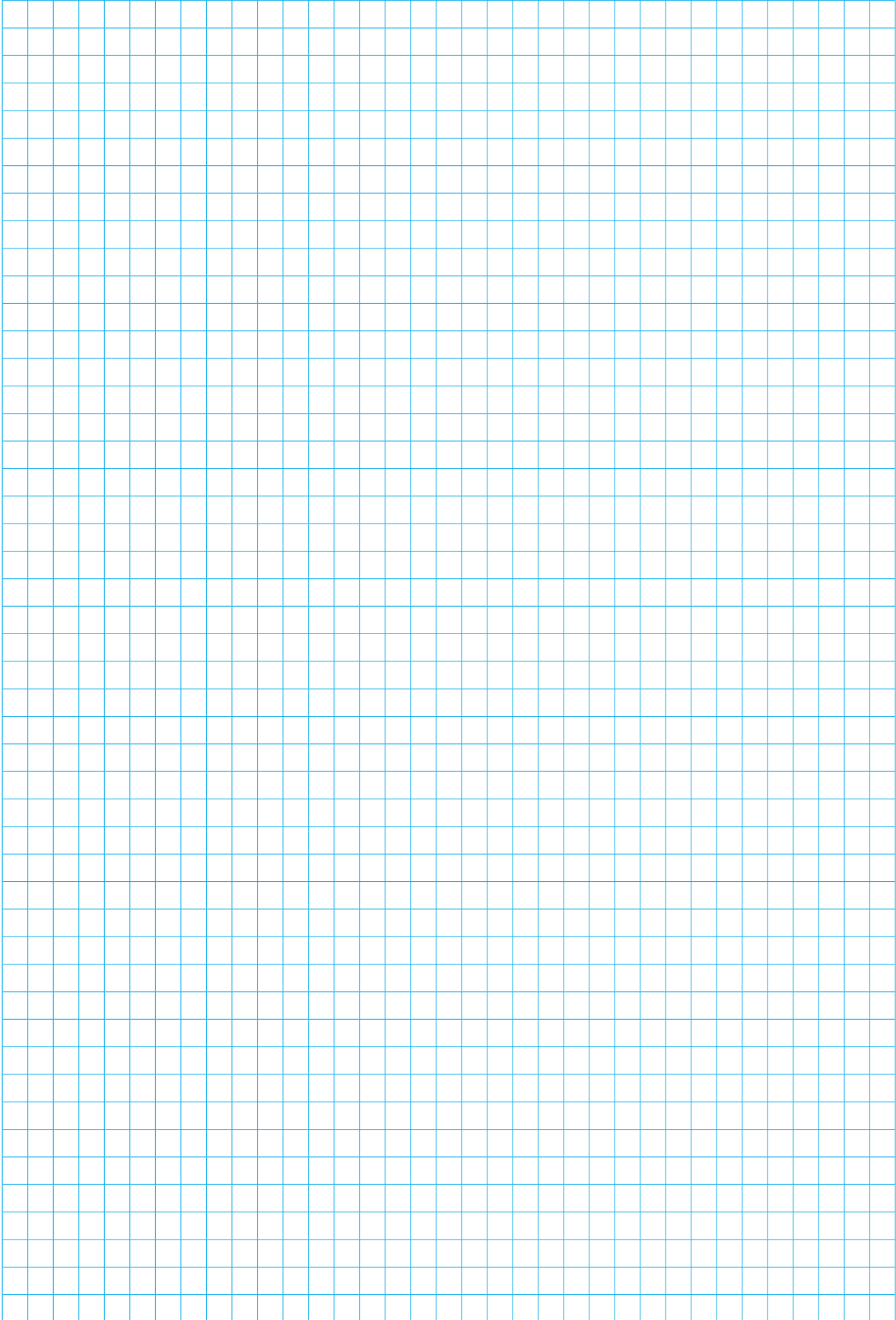
MAFW range

Wall plate made from plastic with screwed in motor suspension in wire guard. Protected against accidental contact by wire guard on the motor side according to DIN EN294. Impeller from aluminium or plastic infinitely adjustable when at rest. Low-maintenance squirrel cage motors to IP 55. Direct driven with flange motor B5.

Application

- Cooling of damp register





Elektor



PRODUCT REVIEW STEEL INDUSTRIAL FANS

Centrifugal Fans

Axial Fans

Elektor aircsystems gmbh
Hellmuth-Hirth-Str. 2
D-73760 Ostfildern
Tel. +49 711 31973-0
Fax +49 711 31973-5000
info@elektor.com
www.elektor.com

Elektor aircsystems sp. z o.o.
ul. Hagera 24B
PL-41-800 Zabrze
Tel. +48 32 277 65 65
Fax +48 32 277 65 61
sprzedaz@elektor.com
www.elektor.pl